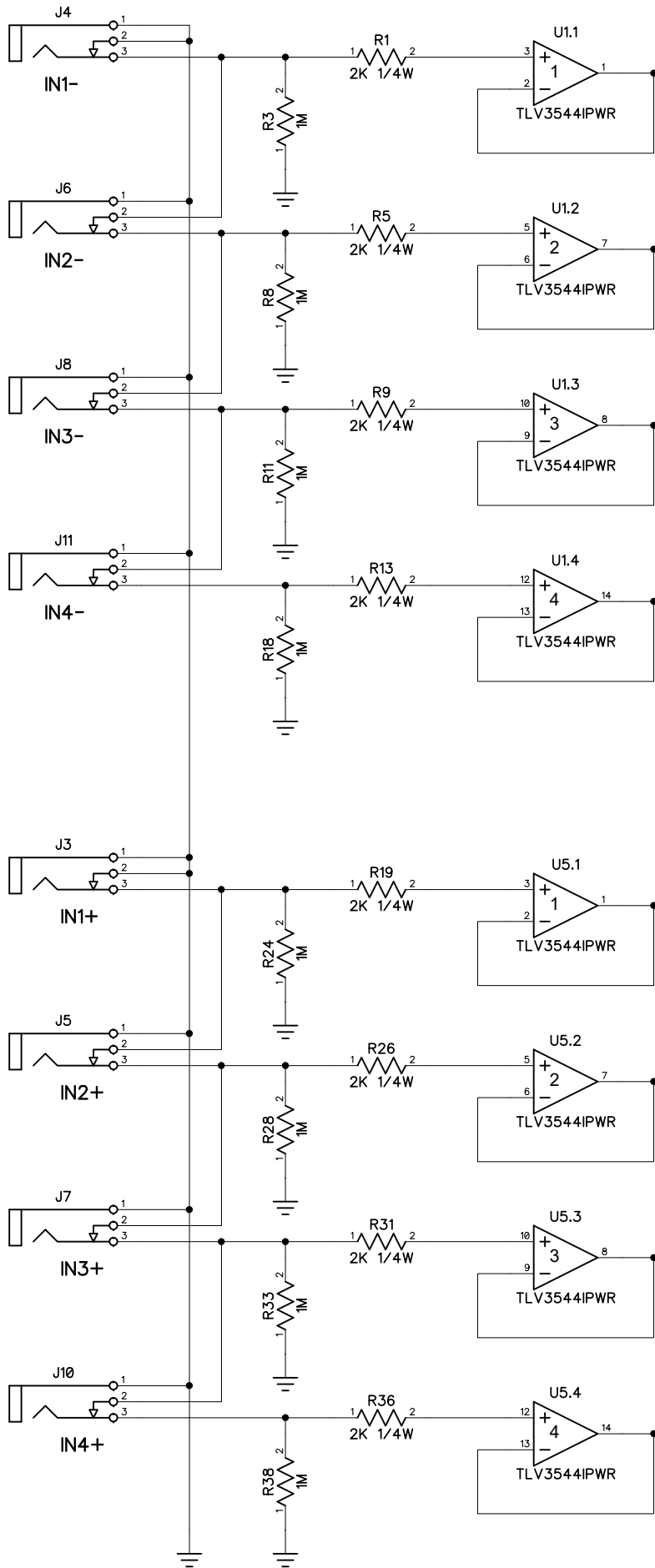
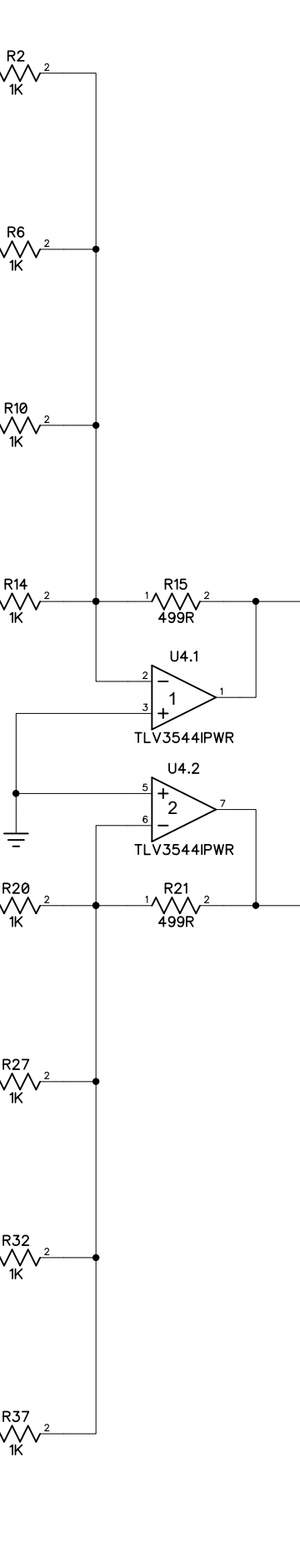


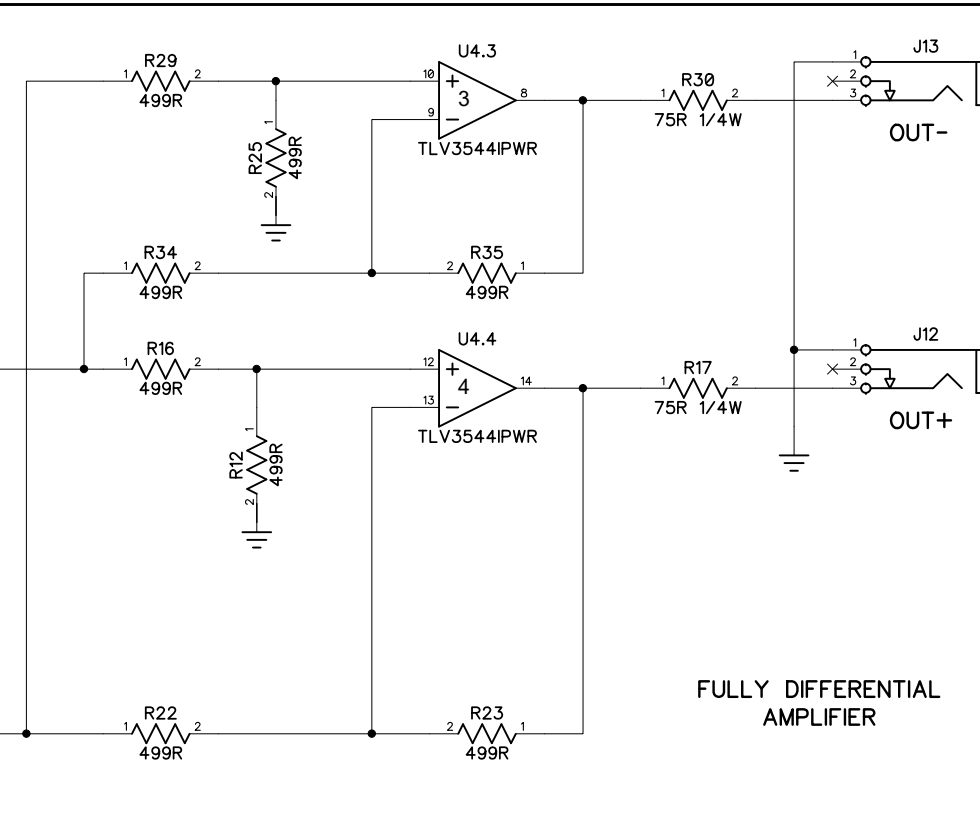
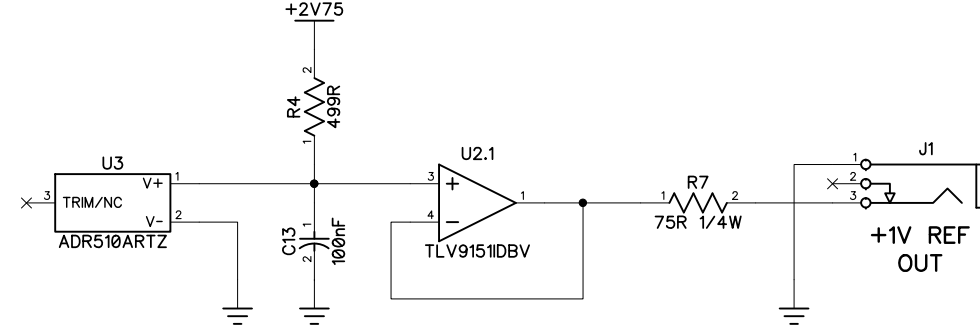
HIGH SPEED FET INPUT BUFFERS
WITH OVERVOLTAGE PROTECTION



SUMMING AMPLIFIERS

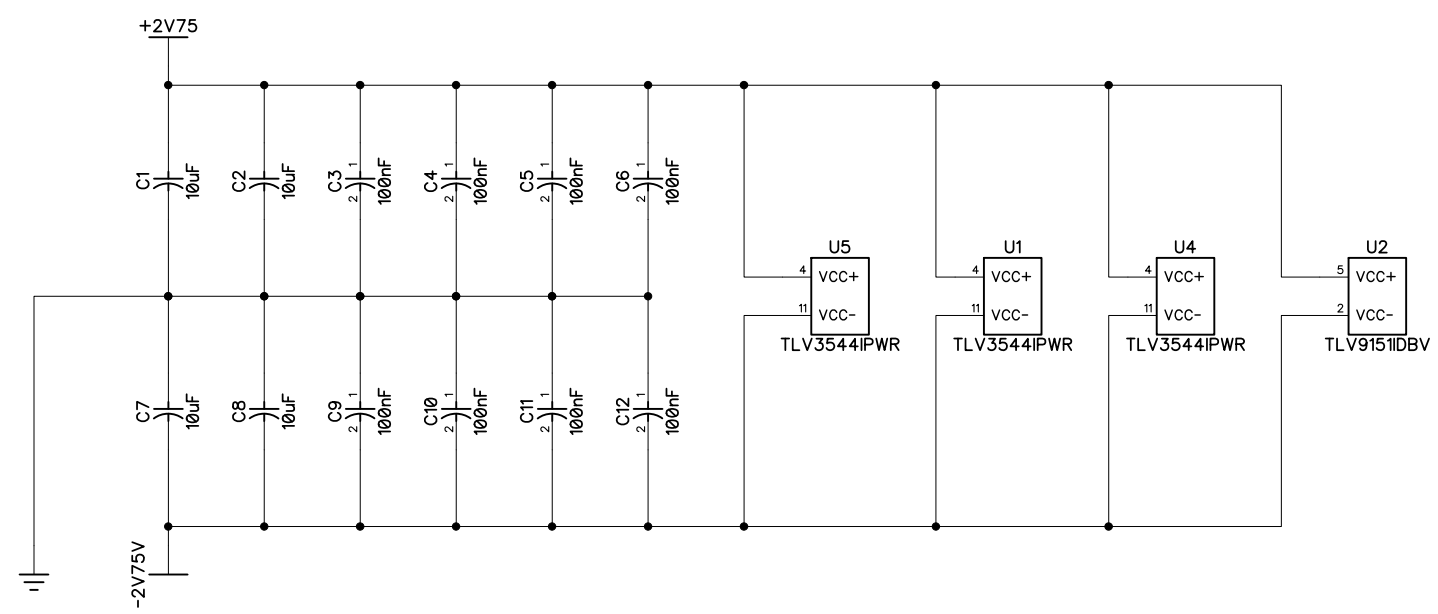


PRECISION 1.00V BUFFERED REFERENCE GENERATOR



FULLY DIFFERENTIAL
AMPLIFIER

POWER RAIL CONNECTIONS & BYPASS CAPACITORS



LZX INDUSTRIES

PGO

PROGRAMMABLE GAIN & OFFSET

4HP EURORACK MODULE

DESIGN BY LARS LARSEN

REVB

OCT 2024

PAGE 1/2

MAIN CIRCUIT

LZX INDUSTRIES	
PGO	
PROGRAMMABLE GAIN & OFFSET	
4HP EURORACK MODULE	
DESIGN BY LARS LARSEN	
REVB	OCT 2024
PAGE 2/2	POWER SUPPLY

